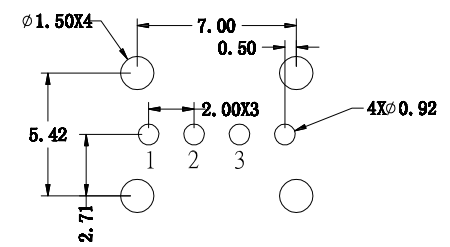
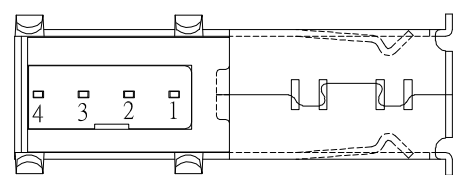
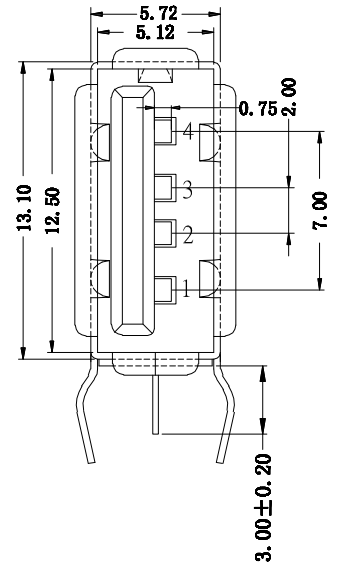
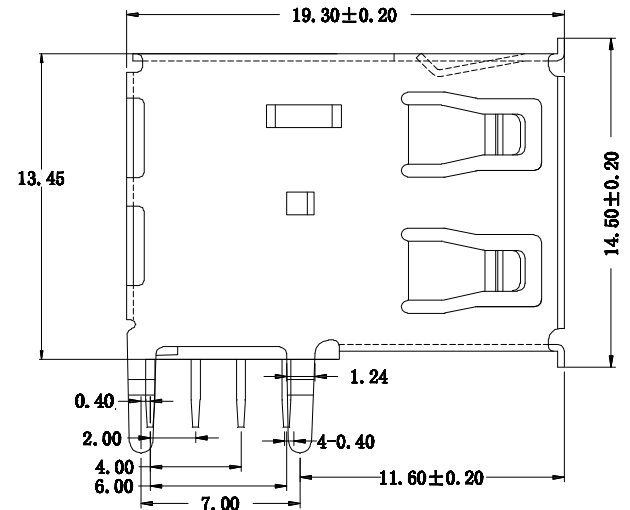
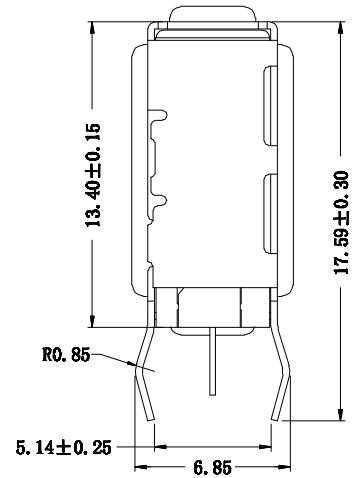


SUA-110PCxx-x-S175

SHELL :   
 Blank : BRASS   
 I : SPCC

COLOR :   
 Black : B   
 White : W

鍍層厚度 :   
 Blank : 1u"   
 2 : 15u"   
 3 : 30u"



**SPECIFICATIONS**

- Electrical:**
- 1.Current Rating: 1.5A / contact terminal
  - 2.Voltage Rating: 30 VDC
  - 3.Contact Resistance: 30 mΩ Max
  - 4.Dielectric Withstanding Voltage: 500 V AC AT Sec Level
  - 5.Insulation Resistance: 1,000 MΩ Min
- Material:**
- 1.Housing: PBT
  - 2.Contact: Brass
  - 3.Shell: Spcc / Brass
- Finish:**
- 1.Contact: Plated Gold in Mating Area; Tin on Solder Balls; Nickel under plated overall
  - 2.Shell: Nickel Plating

P.C.B LAYOUT MOUNTING PATTERN



TOLERANCE UNLESS OTHERWISE STATED :

Up to 5	±0.2
Above 5 ~ 15	±0.3
Above 15 ~ 30	±0.4
Above 30 ~ 50	±0.5
Angle	±0.3°

3RD. ANGEL'S

UNITS MM

DRAWN BY:	DATE	MAT'L	TITLE	CONNECTOR
Jack Lu	04/16/20			
CHECKED BY:	DATE	FINISH	MODLE	USB AF 側插 90度 有後蓋 自動機
Jacky Chen	04/16/20			
APPROVED BY:	DATE	SCALE	DWG NO.	SUA-110PCxx-x-S175
Tony Kao	04/16/20	1 : 1	PART NO.	SUA-110PCxx-x-S175
		SHEET NO.	1 of 1	
			SIZE	A4
			VER	R3

ITEM NO.	DESCRIPTION	DRAWN	DATE
3	新增尺寸	Jack	041620
2	新增PIN編號	Jack	062918
1	新增外殼材質選項	Jack	053018